

mercury



THE ART OF METAL





mercury

Like melting metal that  
flows and forms to suit  
the contours of your body,  
the Mercury chair is a structure  
that adapts to you and your needs.

mercury



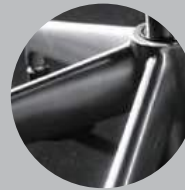


## Bartoli Design

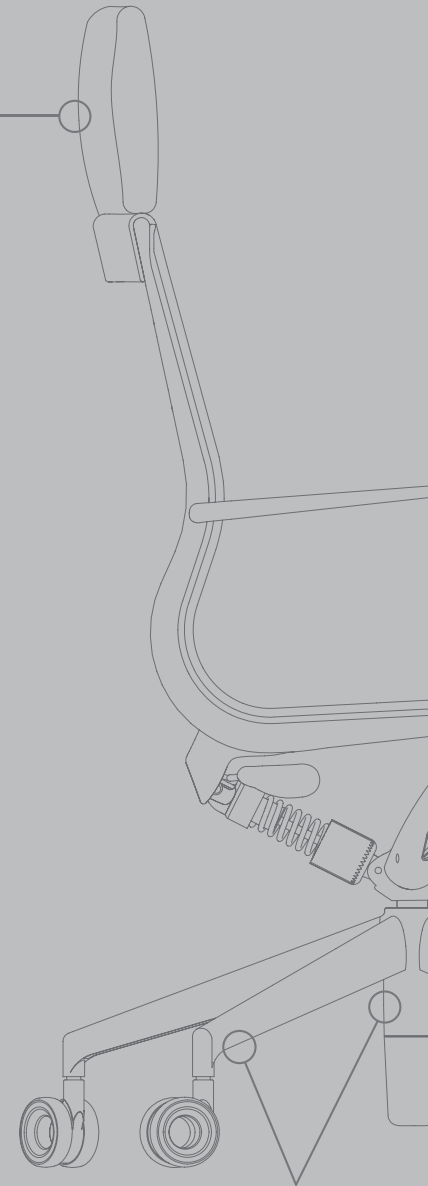
Designed by the famous Italian design studio, Bartoli Design, the elegance and simplicity of the Mercury chair ensures it's the perfect, classic addition to any meeting room or office.




Using the advanced technique of aluminum alloy die-casting pushes design limits.



The backrest is made of pure aluminum alloy making the curve of the chair frame exquisite in its simplicity and style.



Pure metal texture



With its sleek, modern design Mercury will enhance the aesthetics of your office interior.

The hollow metal caster has been especially designed for the Mercury, with sleek finishes from top to bottom.





The brushed and glazed aluminum technique adds to the sleek pure metal texture of this modern work of art.





PRODUCT TABLE

Material Options and Colour Range

LS Standard Leather: 8 colors



L5001 (black/fine-grained) L5002 (coffee) L5003 (black) L5004 (red) L5005 (grey) L5006 (brown)



L5007 (white) L5008 (green)

MN3: 2 colors

MP2: 3 colors



MN3001 (black) MN3002 (white) MP2001 (black) MP2002 (grey) MP2003 (white)

Leather: Applicable to seat cushion, backrest and headrest; 2 dimensional mesh: Applicable to seat cushion and backrest; 3 dimensional mesh: Applicable to seat cushion and backrest

Surface Treatments

Brushed and Glazed



Chair Base/Casters

Brushed and Glazed Aluminum Alloy Base/Hollow Casters



Chair Base/Glides

Brushed and Glazed Aluminum Alloy Base/Fixed Glides



Surface Treatments

Polished



Chair Base/Casters

Polished Aluminum Alloy Base/Hollow Casters



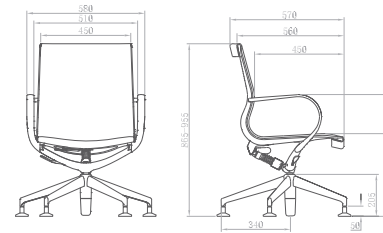
Chair Base/Glides

Polished Aluminum Alloy Base/Fixed Glides

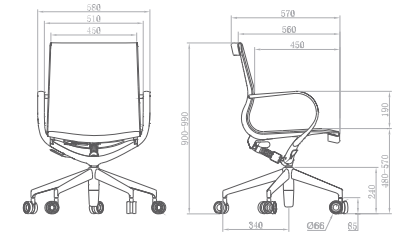


Specifications

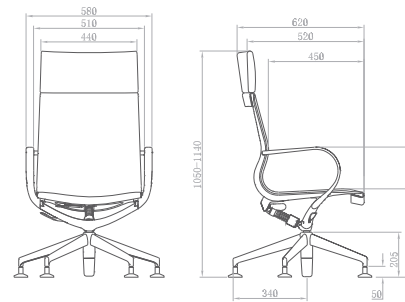
MEDIUM BACKREST



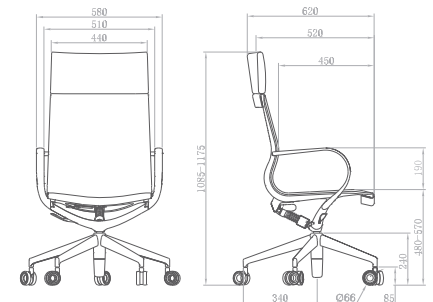
MEDIUM BACKREST



HIGH BACKREST



HIGH BACKREST





## Overview



MC46S-979AL-L



MC46P-969AA-A



MC46S-979AL-L



MC46S-974AL-L



MC46S-975AL-L



MC64S-979AL-L



MC64S-979AL-L



MC64S-979AL-L



MC46M-979AL-A