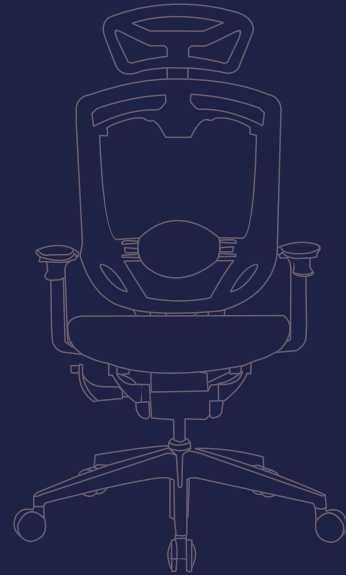


*Reflex*  
Ergonomic Chair User Guide



Please read the guide carefully before using



#### **Paddle Shift Armrests:**

We adopt the design concept of the gear shifting paddles of the Formula One into the operating switches of our ergonomic chairs on the lower side of armrests. It makes the function operation of our ergonomic chairs 8 times faster than operating the normal ones and it's even more convenient for users to adjust in an easier and quicker way without changing the sitting position.

#### **Adjustment Instruction:**

Seat Height Adjustment

Pressing up on the lever under the right armrest will adjust the height of the seat.



### Adjustment Instruction :

#### Backrest Tilt Adjustment

Pressing up on the lever under the left armrest will adjust the backrest angle. Lift the lever up, release and lean back to engage the backrest tilt with body weight pressure, when hearing the sound of "click", the backrest will be locked. Pressing up again on the lever, releasing and when hearing the sound of "click", leaning back with body weight pressure will unlock the backrest; allowing it to become free. (Considering the users' using safety, we designed the special safe tilting lock which need users' body weight pressure to unlock the backrest.)

Attention: Please release the paddle shift after lifting it to avoid the function being affected.

# > Reflex User Guide



- |    |                                |    |   |
|----|--------------------------------|----|---|
| 01 | General Introduction           | 05 | Maintenance                                 |
| 01 | Construction                   | 06 | Tips for Analysis & Elimination of Problems |
| 02 | Structure & Technical Features | 06 | Quality Guarantee & After Service           |
| 03 | User Guide                     | 07 | Assembling Instruction                      |

# General Information

- 1.Application  
It is applied for the Reflex chair series.
- 2.Application  
Ergonomic chair, designed for any office space and environment.
- 3.Applicable Scope  
Indoor use only. Not for open air or moist environments.
- 4.Quality Standard  
The Standard of the office chair : ANSI/BIFMAX5.1-2013
- 5.Quality grade: Qualified Product

Note	The upgrade of the chair will not be informed separately. All right reserved by GTCHAIR. All divergences will be referred to the Chinese Edition.
------	---

# Construction

- 1.Mesh Backrest: nylon reinforced with fiberglass frame, with woven terylene and acrylic fiber and visco backing.
- 2.Back Bar: Die-cast aluminum alloy.
- 3.Foam: High density, elastics foam.
- 4.Mechanism: Die-cast aluminum alloy.
- 5.Base: Die-cast aluminum alloy.
- 6.Casters: Black dual wheel casters made of nylon reinforced with fiberglass.
- 7.Mesh/Fabric:  
Mesh: Made of high quality Polyester.  
Leather: High quality leather.
- 8.Backrest frame: Die-cast aluminum alloy.

# Structure & Technical Features



# Introduction of Paddle Shift Armrests Control

## Seat Adjustment



1. Pressing up on the lever under the right armrest will adjust the height of the seat. Pressing up on the lever with your body weight will cause the seat to lower. Release the lever when you have reached the desired position. Pressing up on the lever when there is no weight on the seat will allow it to rise.

2. Pressing the button on the left side of the seat will unlock seat. Slide the seat forwards and backwards with your body weight, release the button to lock it when you have found your desired position.



Note: This only applied to model GT07-35 series.



3. Pulling out the knob on the left side of the seat will unlock seat. Slide the seat forwards and backwards with your body weight, release the knob to lock it when you have found your desired position.

Note: This only applied to model GT07-38/GT07-39 series.



1. Pressing up on the lever under the left armrest will adjust the backrest angle. Lift the lever up, release and lean back to engage the backrest tilt with body weight pressure, the backrest will be locked. Pressing up again on the lever, releasing and leaning back with body weight pressure will unlock the backrest, allowing it to become free.

Attention: Please release the paddle shift after lifting it to avoid the function being affected.



2. Pull the tension knob found on the lower right of the seat and turn clockwise to increase back tilting tension, counter clockwise to decrease back tilting tension.

3. Pressing the buttons on both sides of the backrest and moving inwards and outwards can adjust the angle of the backrest.



## Armrest Adjustment



1. Lift the armrest up to raise the arm height, once the armrest has reached its highest point it will then return to its original position.

2. The arm pads can easily pivot.

## Adjustable Lumbar Support

Pull up on the lumbar pad to raise the lumbar support, and push down to lower it.





## Headrest Adjustment

Pushing the headrest forwards and backwards or pulling it vertically will change its height and angle.

## Care and Maintenance

### During Use:

Avoid the use of acute objects or blades.  
 Avoid direct sunlight and strong light.  
 Regularly check the kinetic parts and screws. If there are any issues, fix them accordingly.

### Storage:

- Cover with a dustproof cloth.
- Avoid direct sunlight.
- Do not keep in damp or humid environments

### Mesh:

During Use: Daily Maintenance: Remove dust off mesh with soft brush .  
 Deep Clearance: Please ask for professional staff for help.

Problem	Caused	Solution
Unable to raise seat height	Was there any weight on the seat when you adjusted it?	Only increase seat height when there is no weight on the seat.
	Was the seat already at its highest height?	Please sit down on the seat and lower seat height to ensure you are not already at the highest height.
Unable to lower the seat height	Were you sitting on the front of the seat?	Center your weight on the seat and try again.
	Unable to lower the seat height?	Please choose a seat height between the highest and lowest position.
Seat depth can not be adjusted forwards or backwards	Was the lever under the left side of the seat in the lock position?	Please lift the lever and try again.
	Was the tension knob turned completed clockwise?	Please lower tension and try it again.
The casters can not moved freely	Was there any dirty or other debris caught in the casters?	Please clean the caster or change the caster.
Noise during use		Please contact the distributor.






### Warranty and Terms & Conditions

This product is offered 1 year quality warranty and 5 years usage warranty

One-year quality warranty	GTCHAIR will be responsible for the quality issue within 1 years, and repair free of charge.
Five-year usage warranty	Beside of previous warranty, all office chairs offered by GTCHAIR would be in 5 years warranty. GTCHAIR will offer repairing service and replacement with reasonable charge.

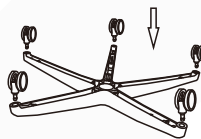
# Assembling Instruction

## Part list

 Caster x5	 Base x1	 Gaslift x1
 Office Chair x1	 Optional Headrest x1	

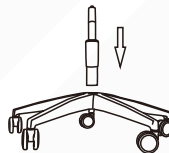
## Assembling Steps

Step one:



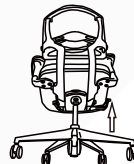
Insert the casters into the base caster hole.

Step two:



Put the gas lift into the base.

Step three:



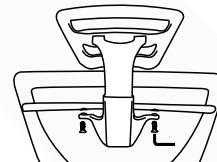
Insert the upper end of the gas lift into the mechanism hole.

Step four:



Chair Assembly is completed.

(Optional)



Use the screws to fasten the headrest to the chair back.